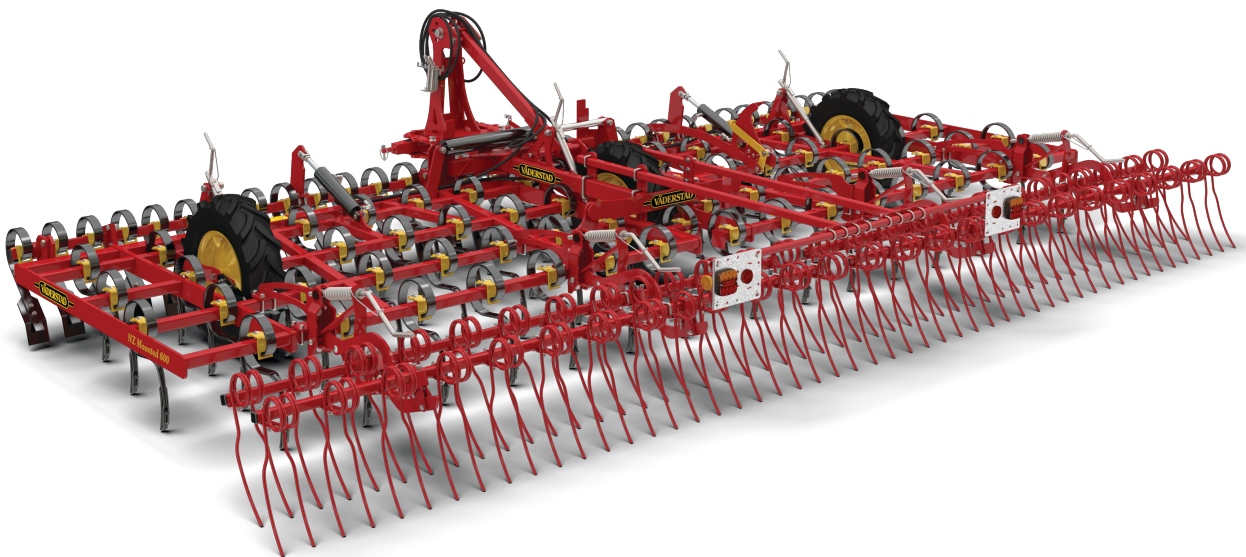
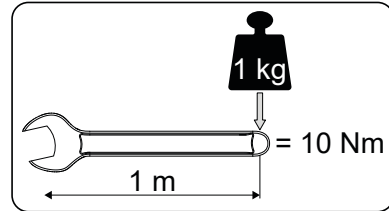
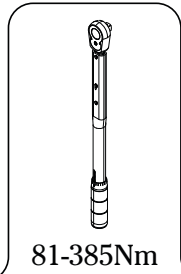


NZM 500-600  
NZM0001713-





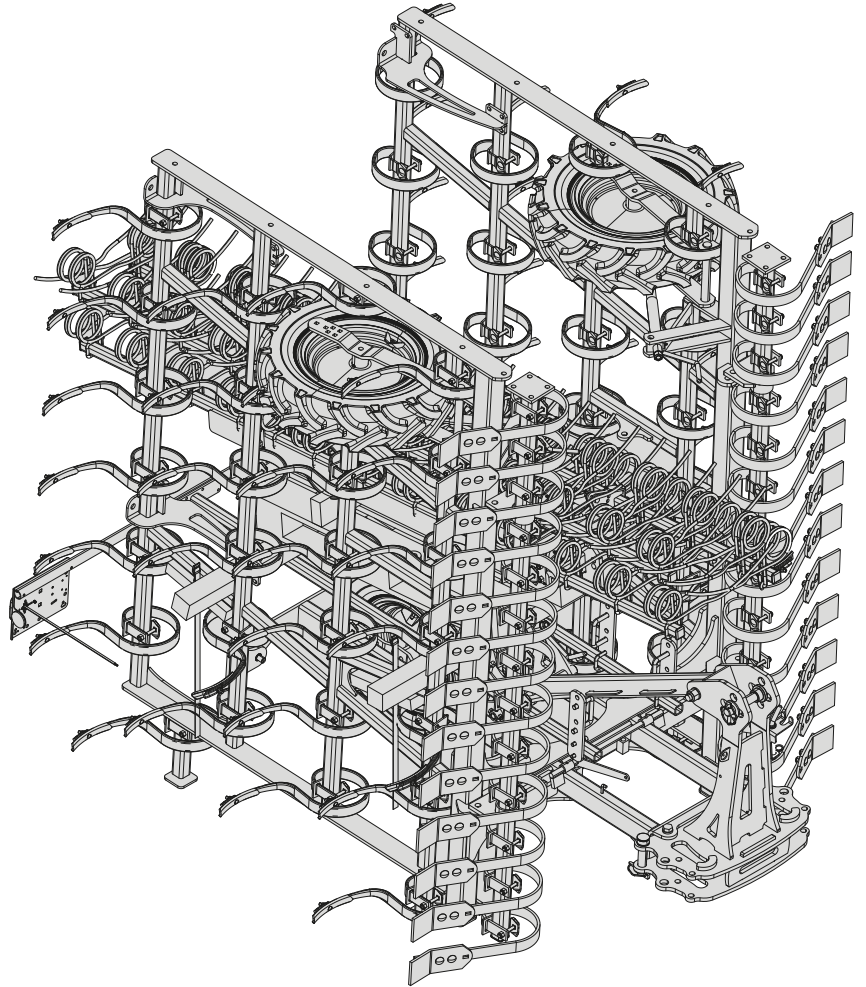
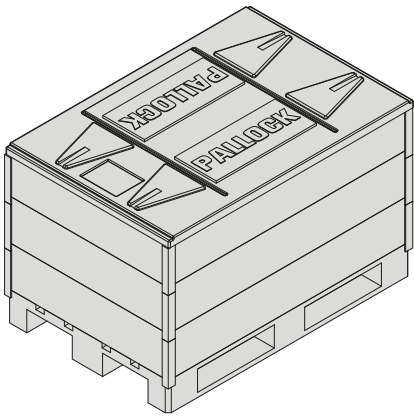
	<b>8.8</b>	<b>10.9</b>	<b>12.9</b>
M8	24	33	40
M10	47	65	79
M12	81	114	136
M14	128	181	217
M16	197	277	333
M18	275	386	463
M20	385	541	649
M24	665	935	1120

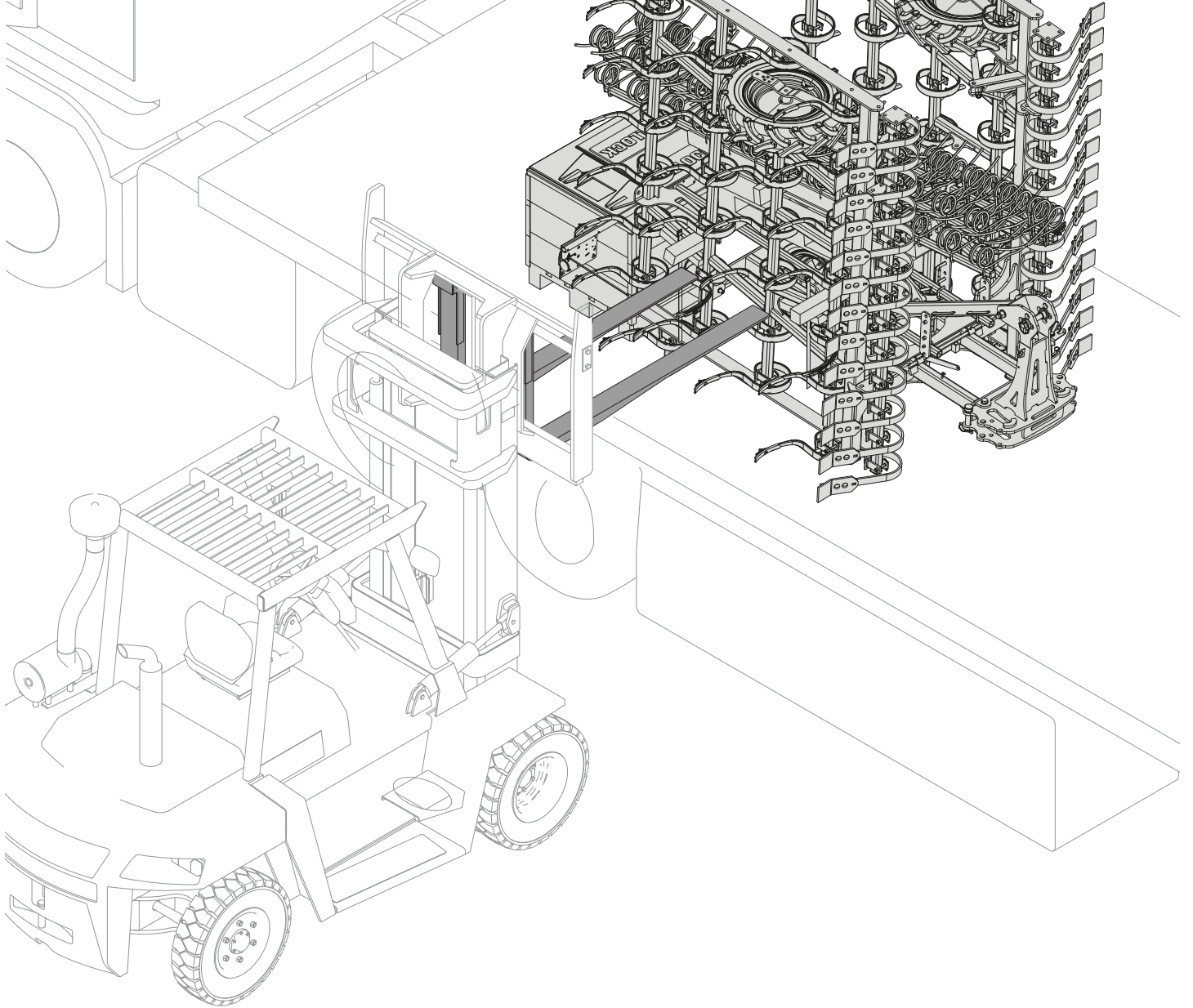
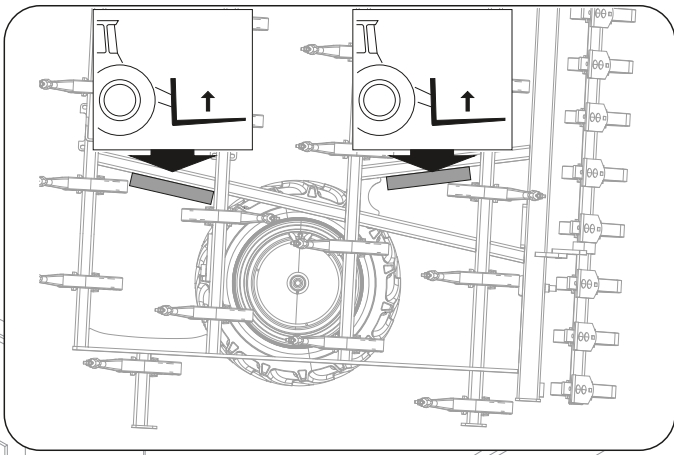
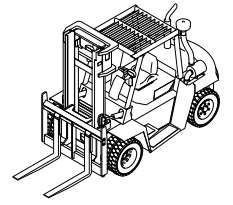


NZM 500: 1600 kg

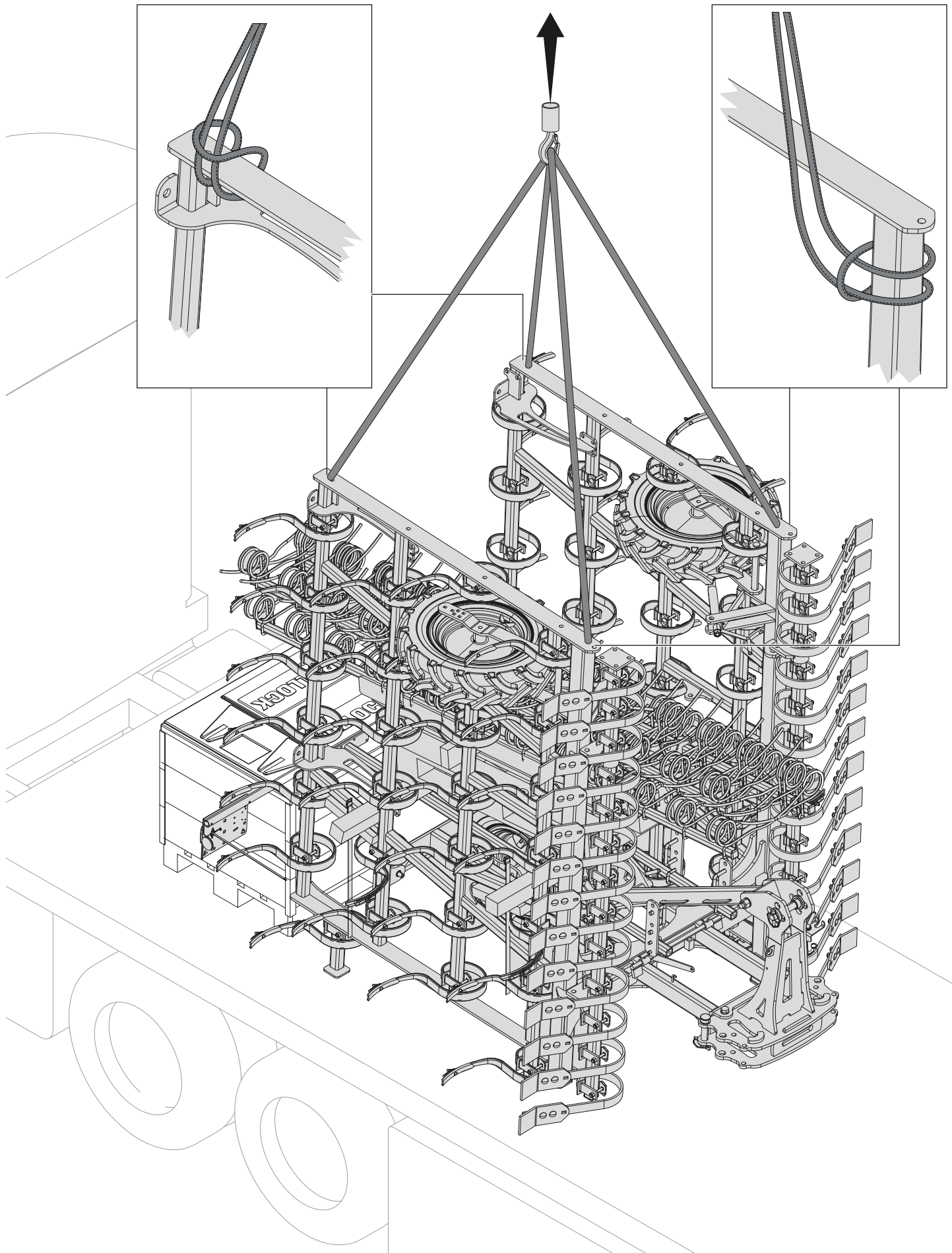
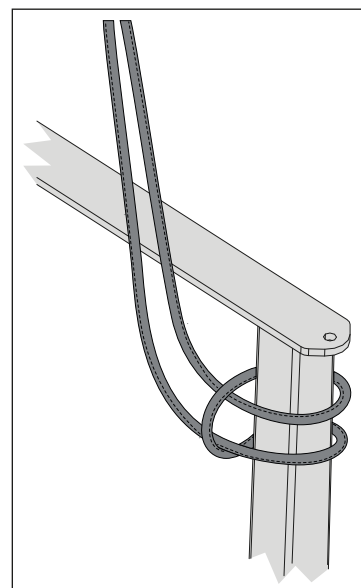
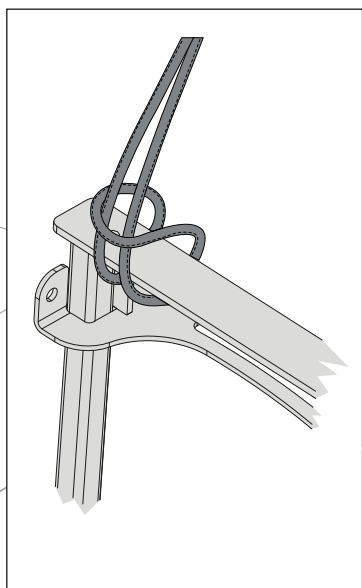
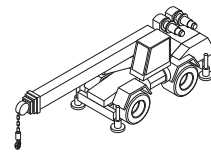


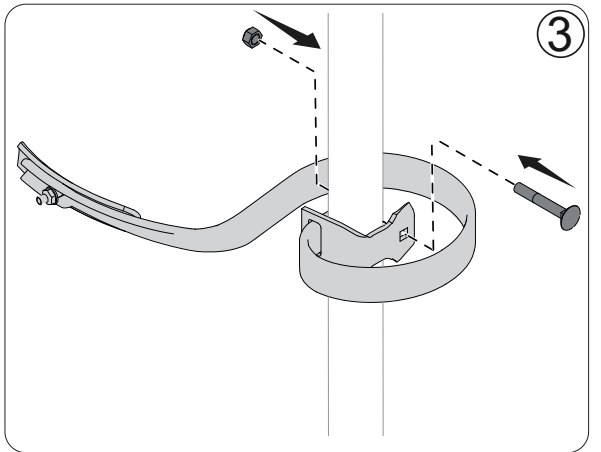
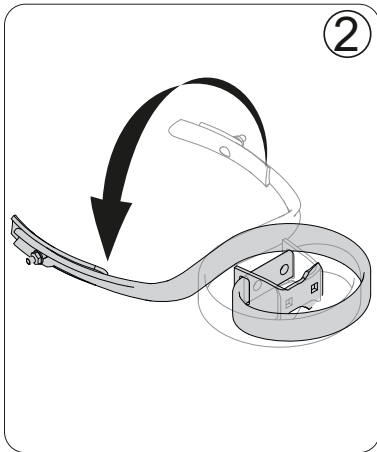
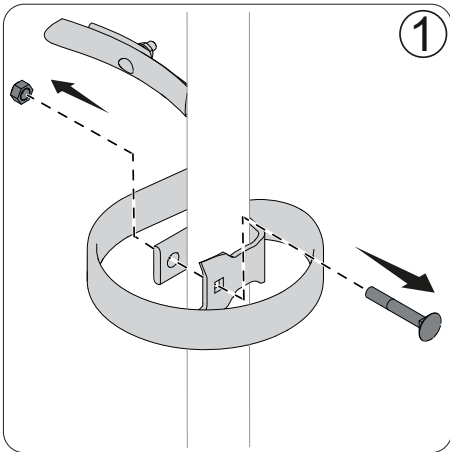
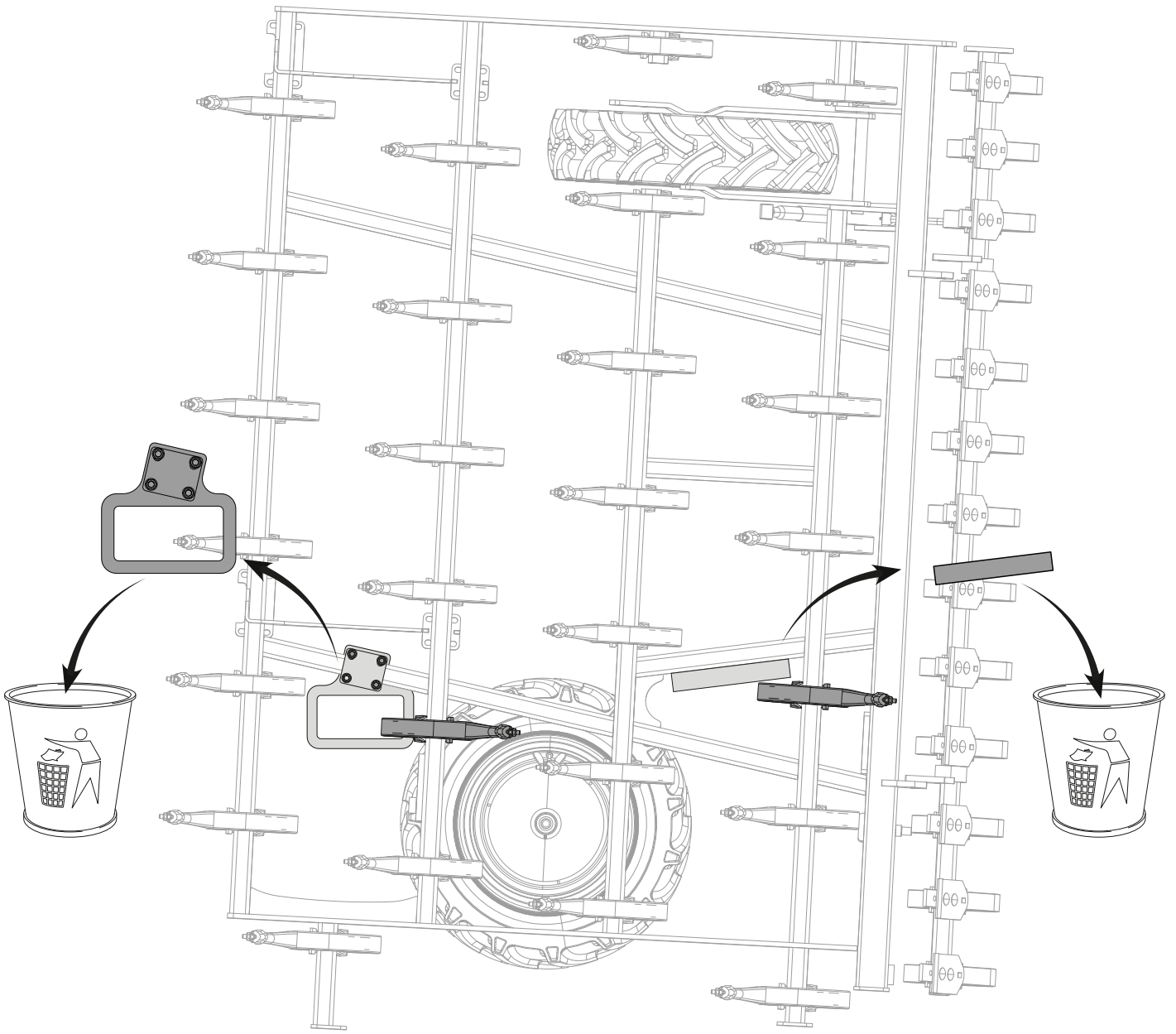
NZM 600: 1950 kg

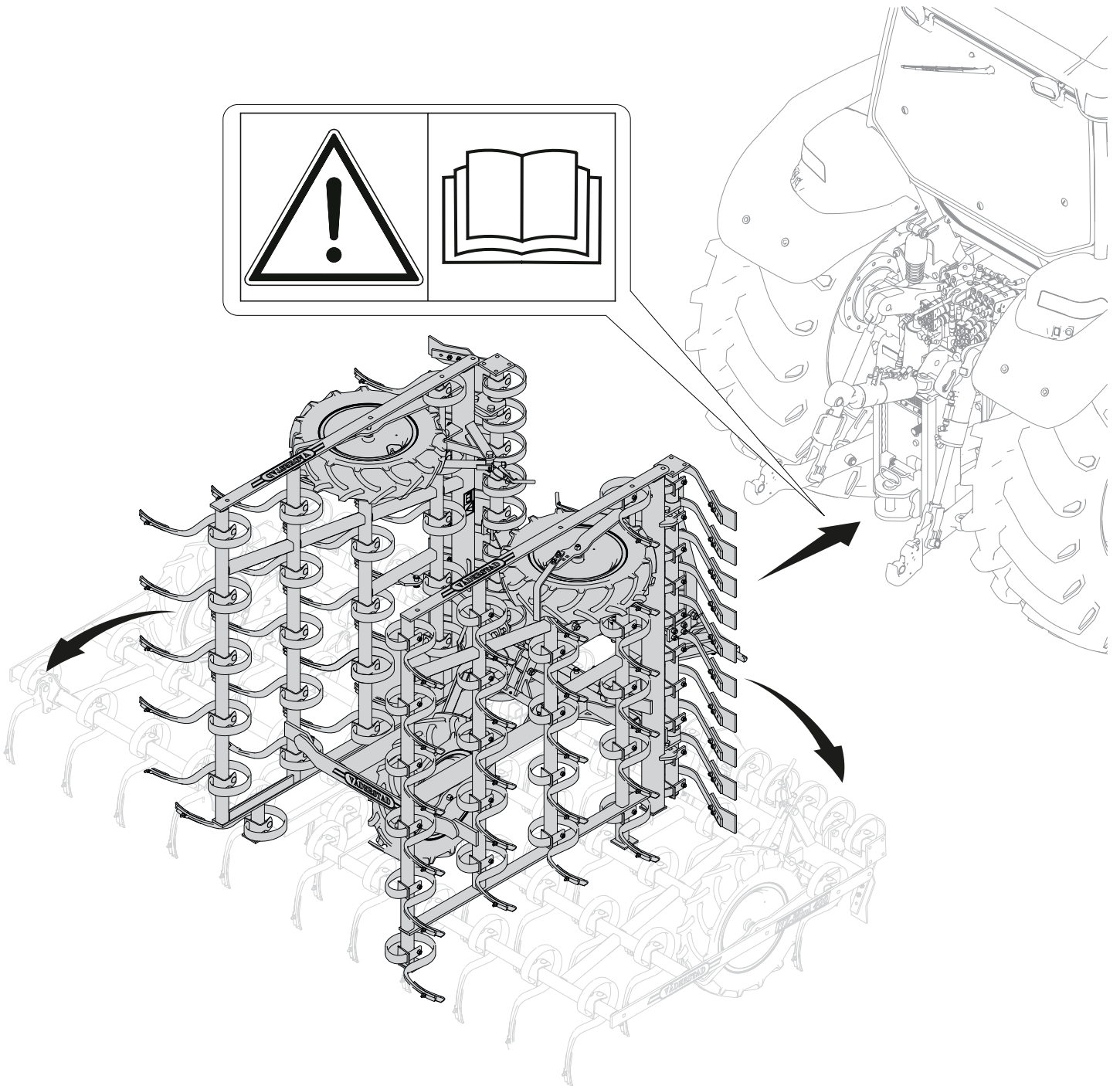
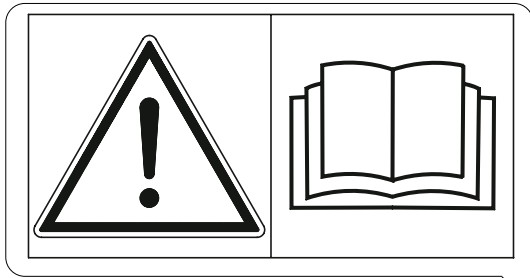


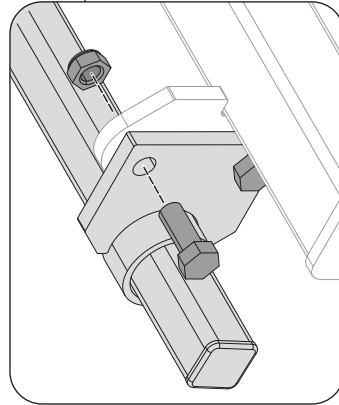
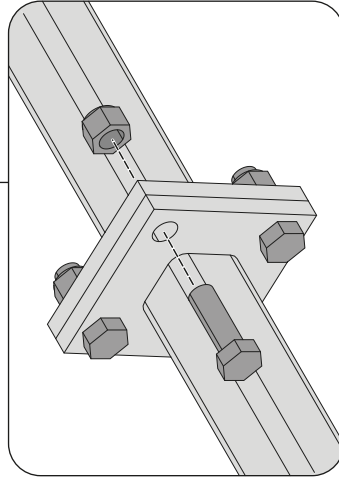
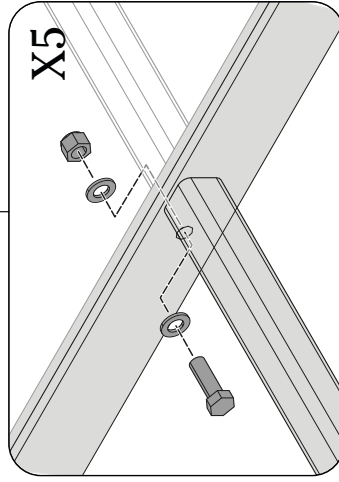
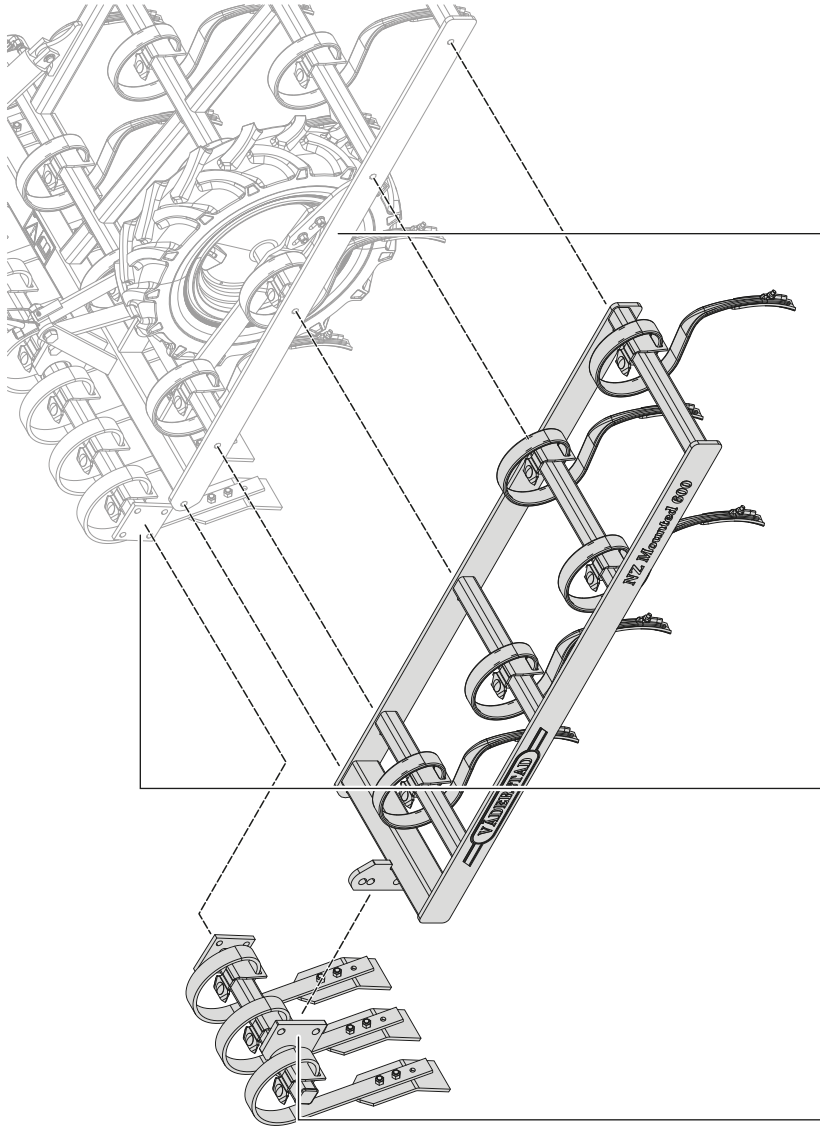






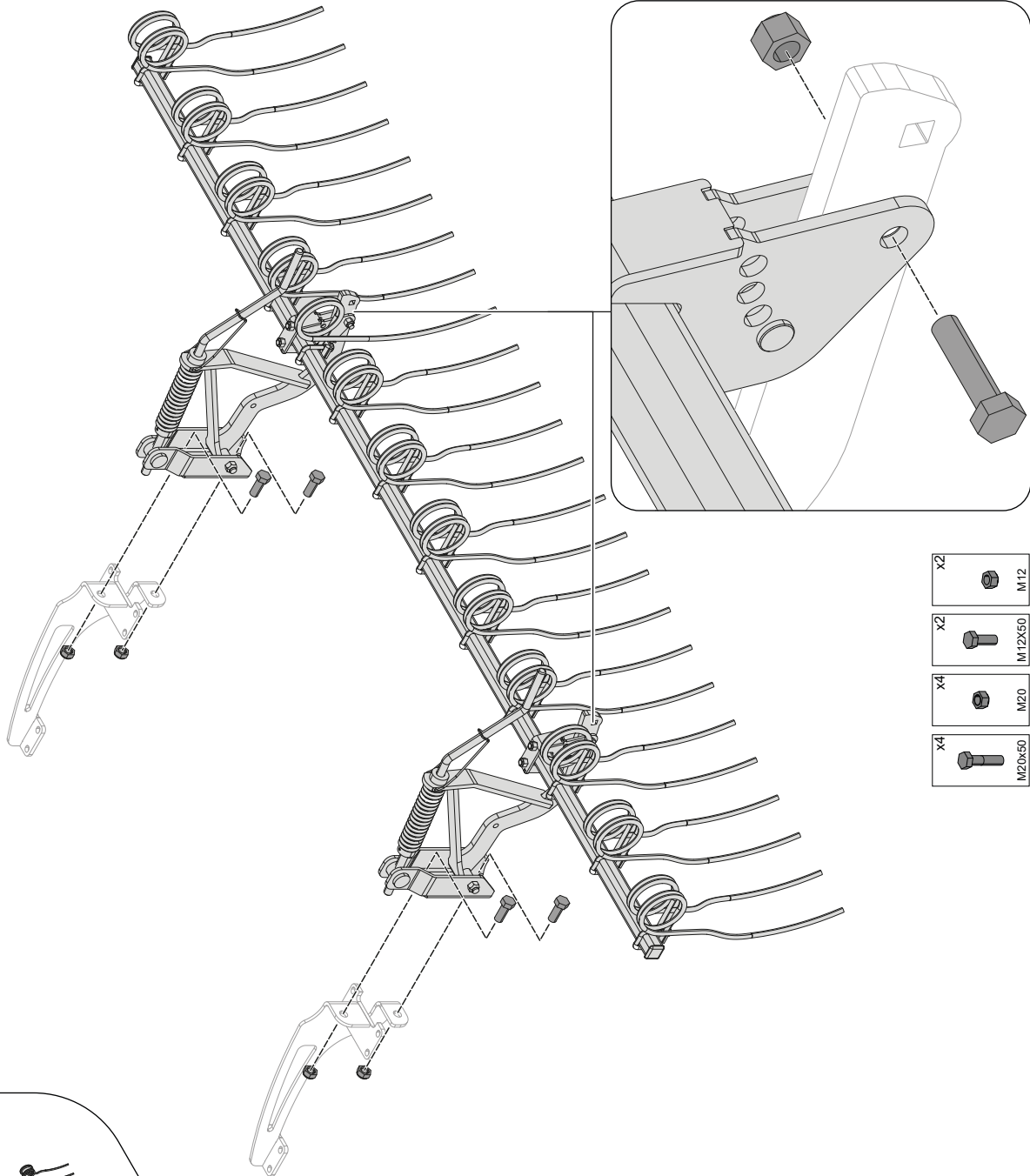




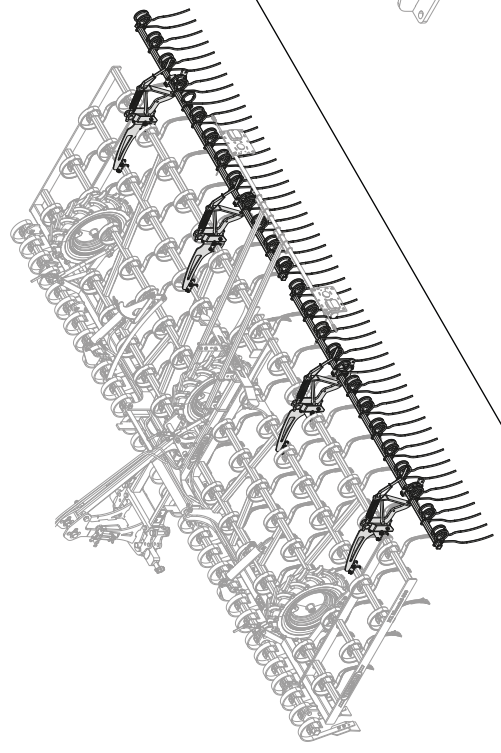


- x11 M16x50
- x10 M16
- x11 M16

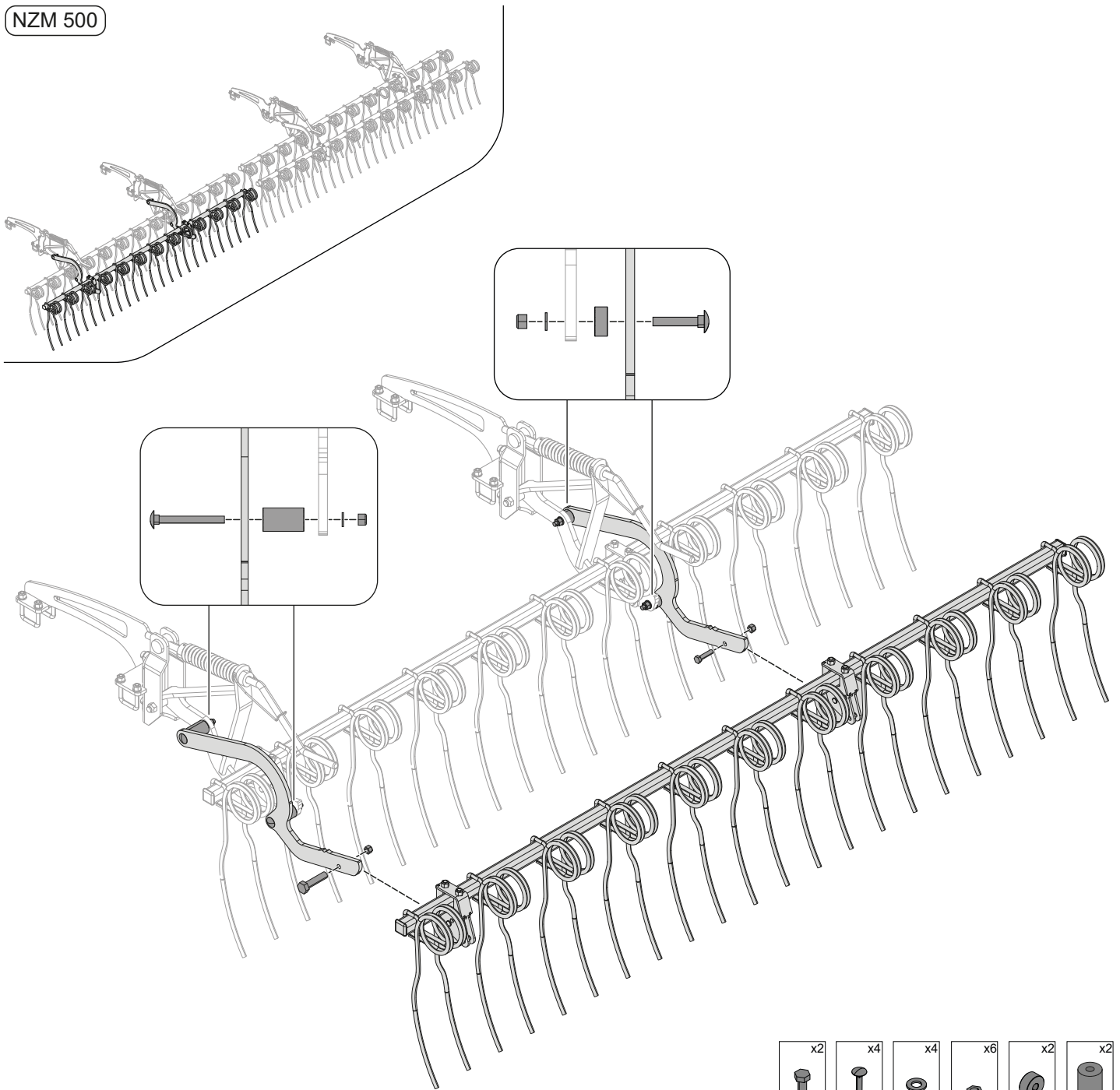


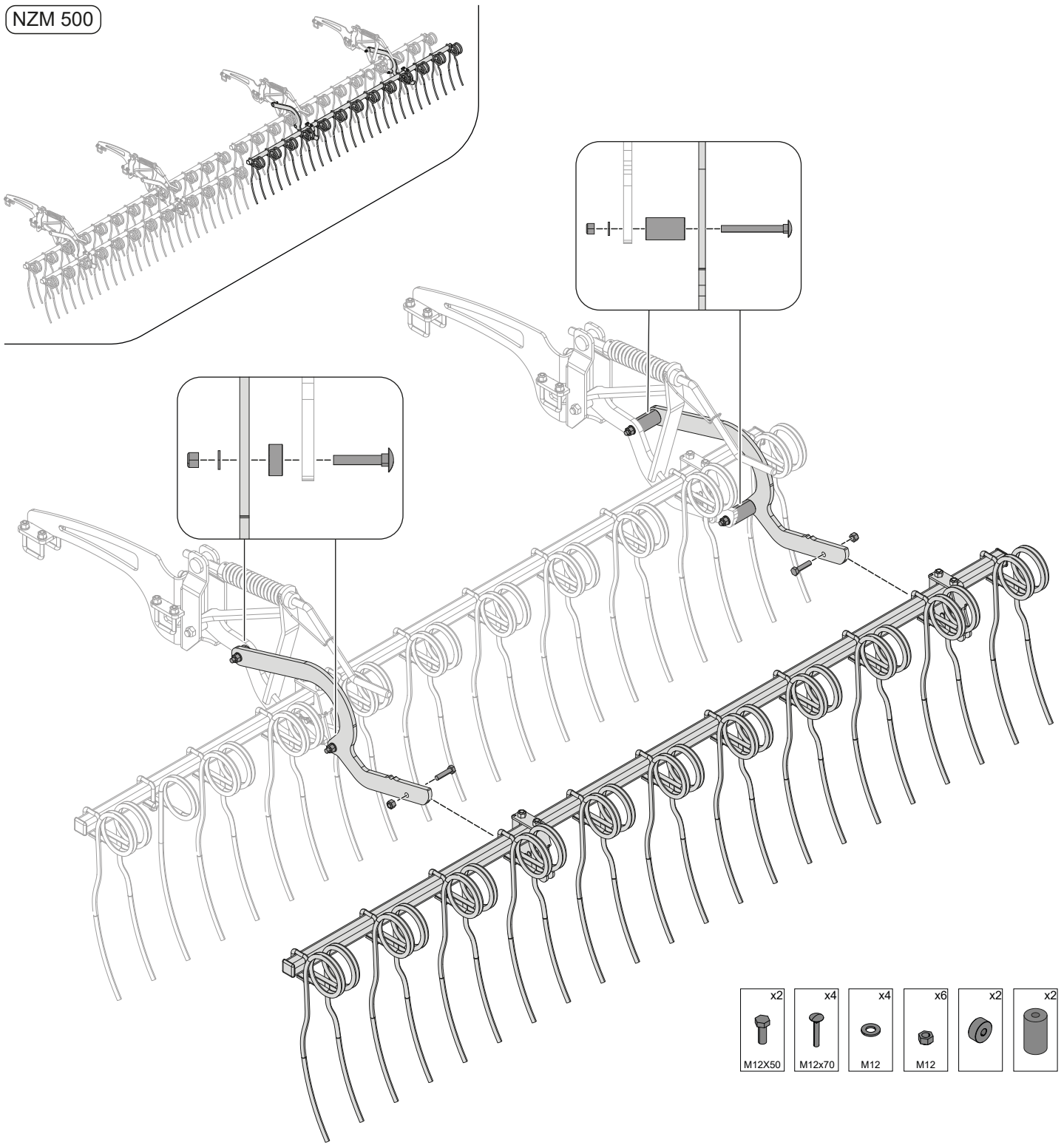


x2		M12
x2		M12x50
x4		M20
x4		M20x50

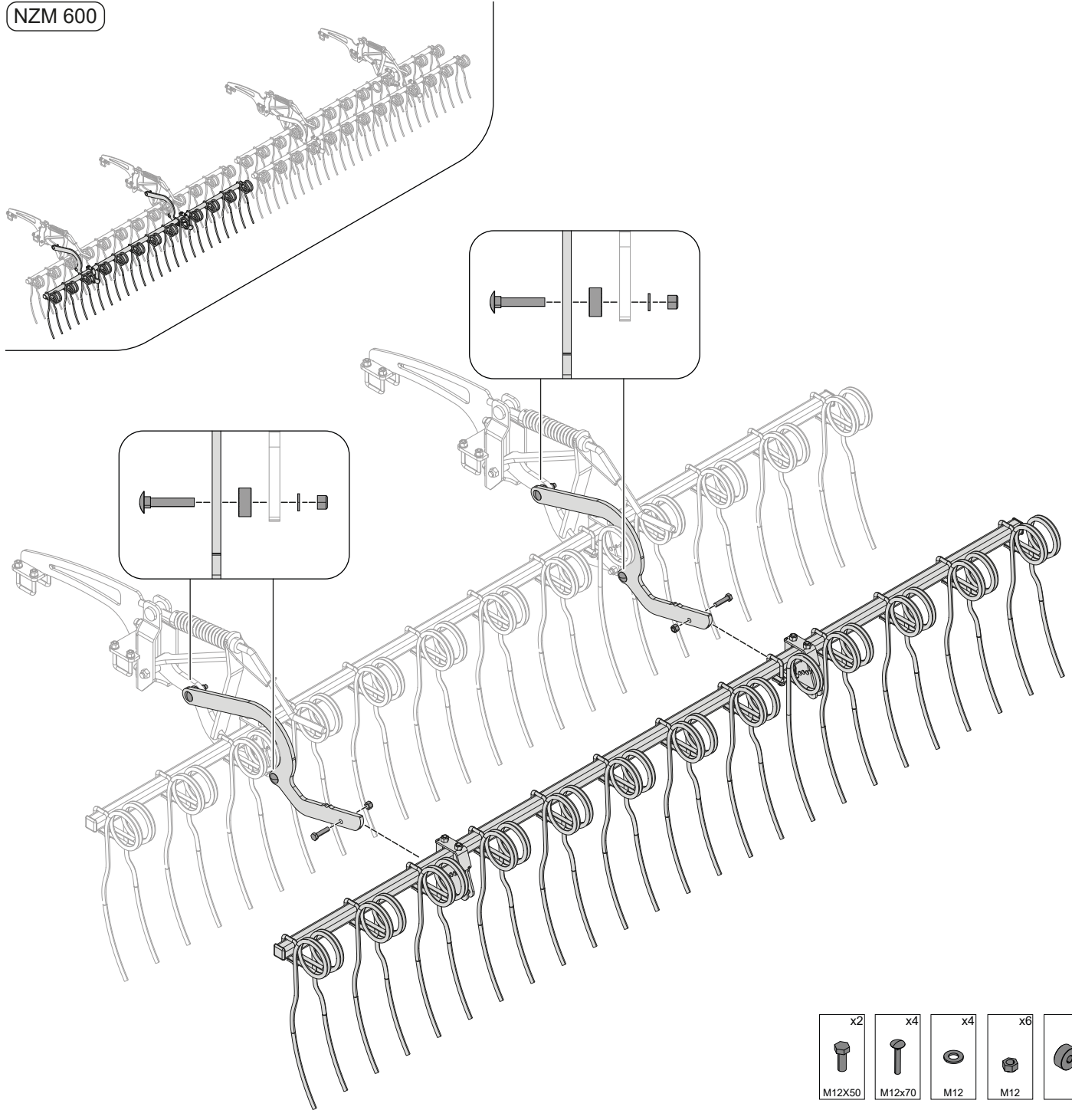




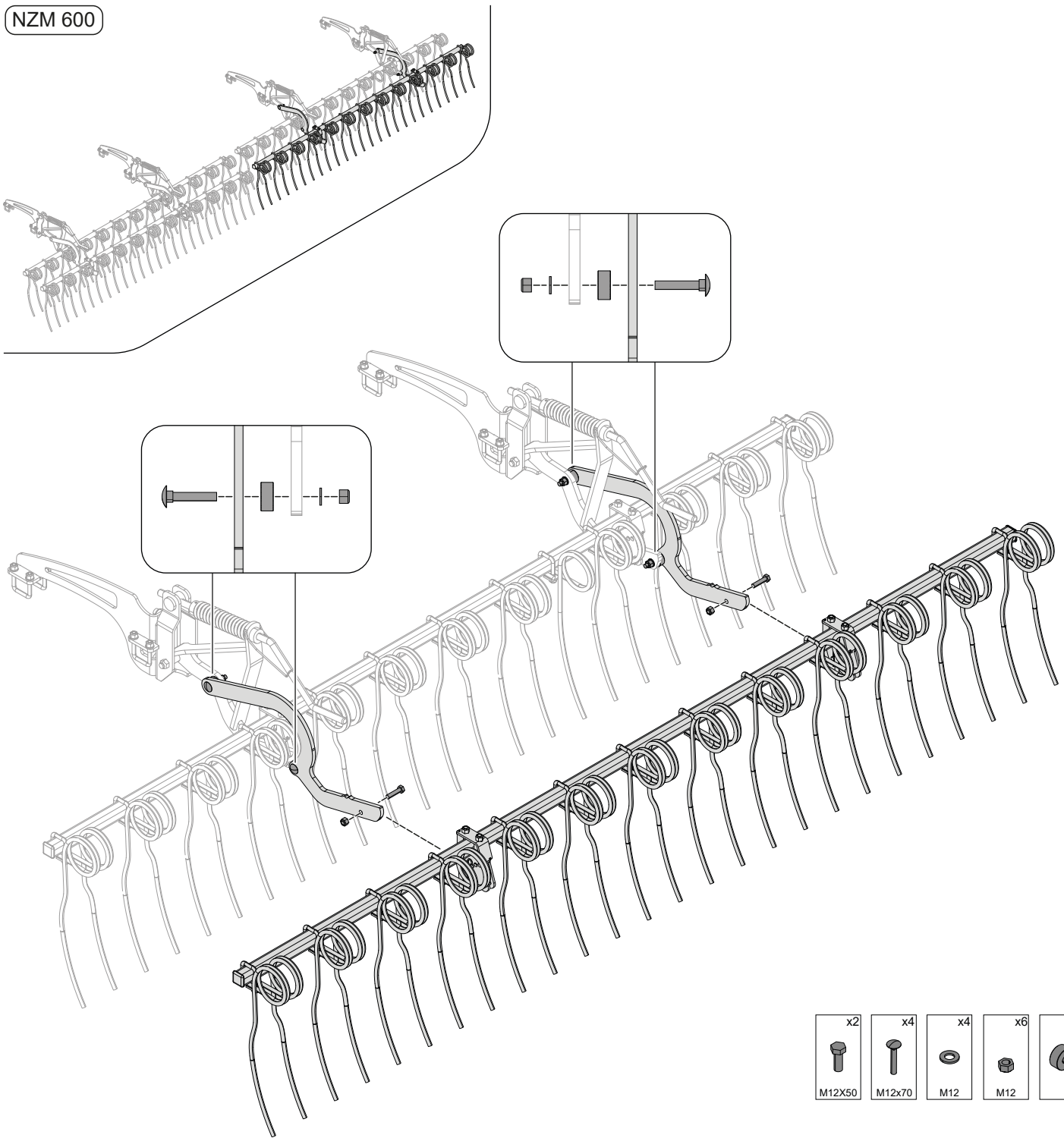




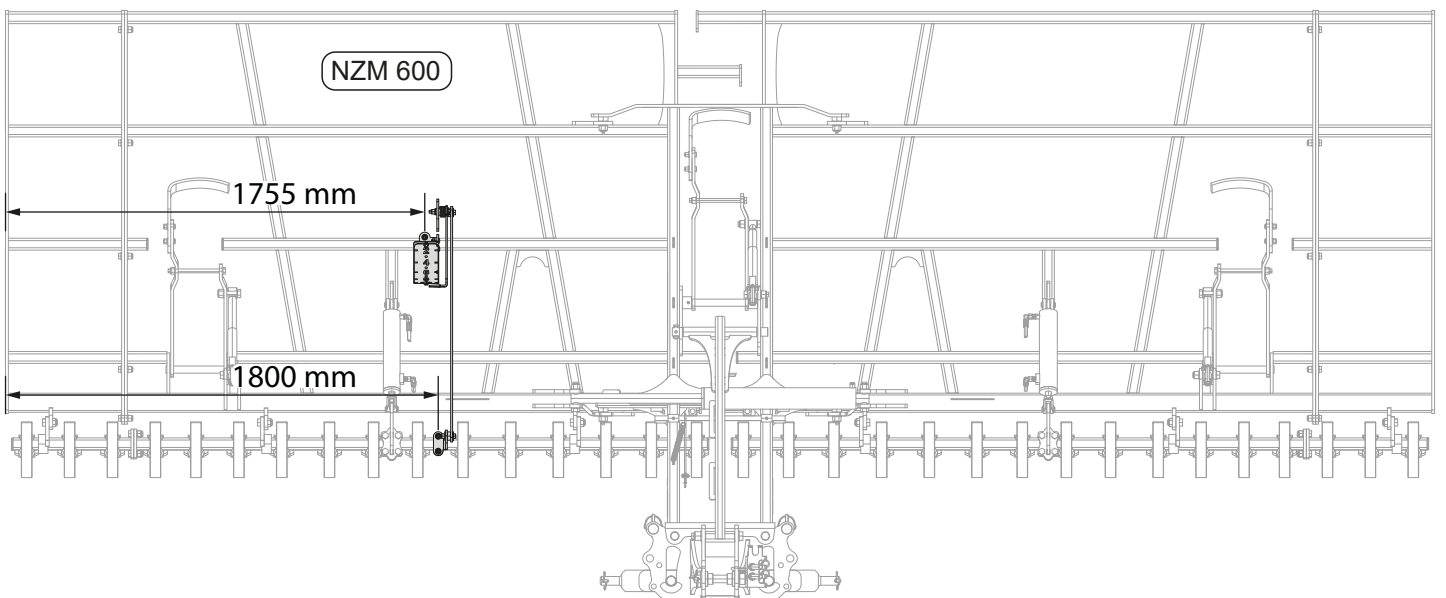
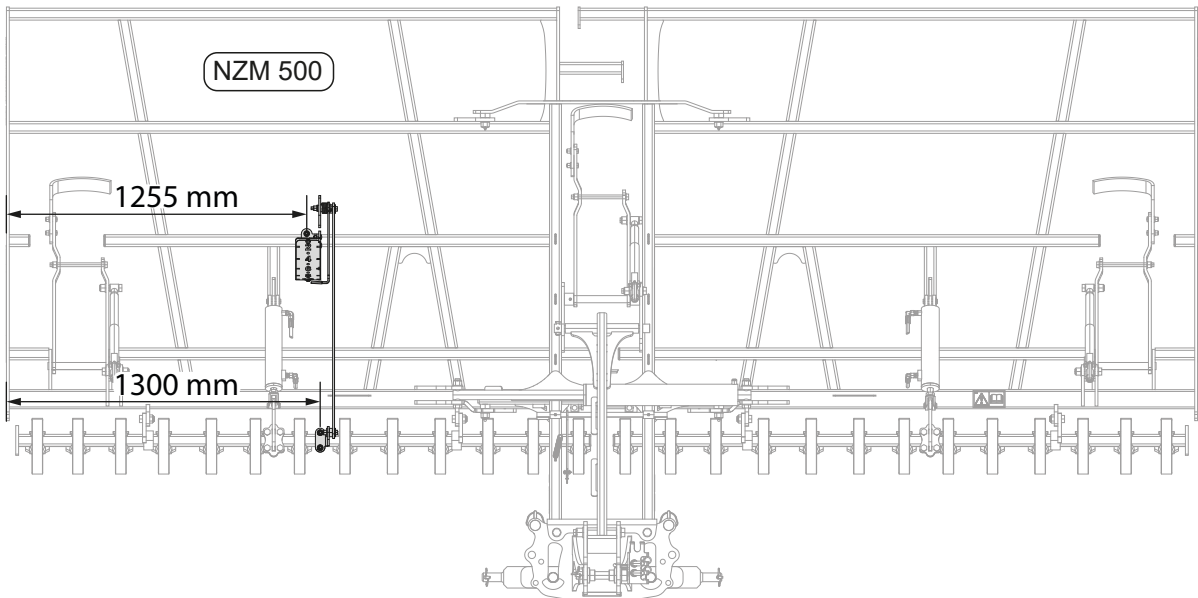
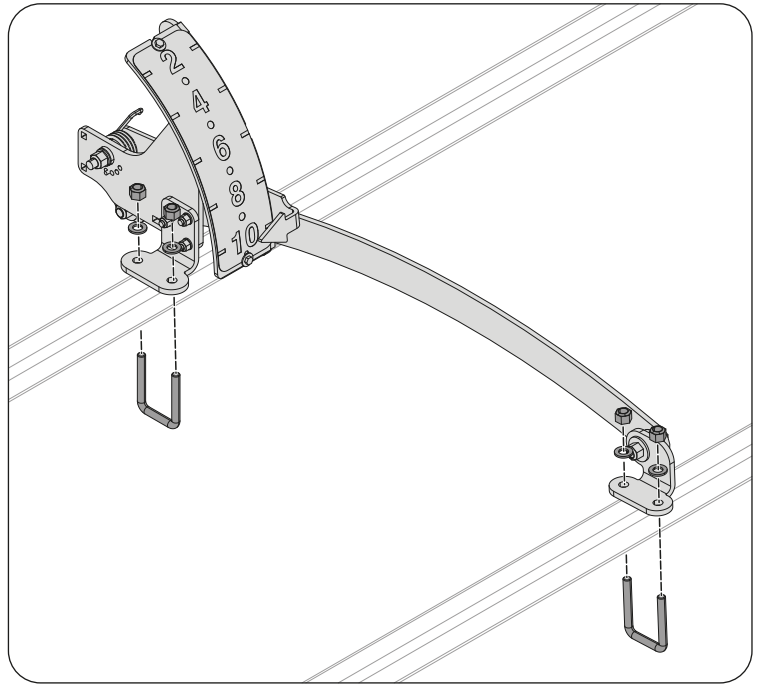
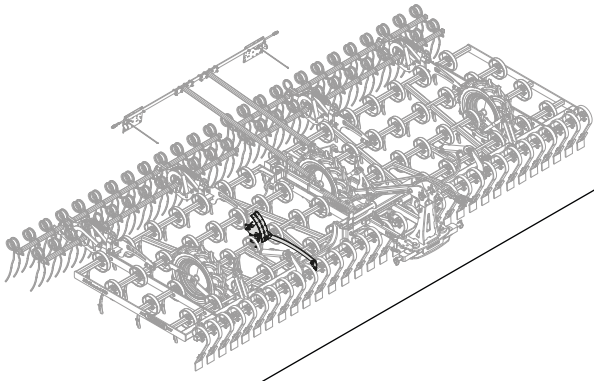
x2	x4	x4	x6	x2	x2
M12x50	M12x70	M12	M12		



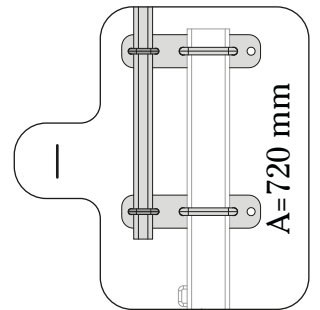
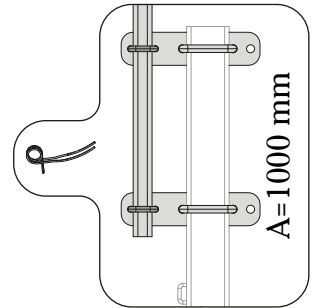
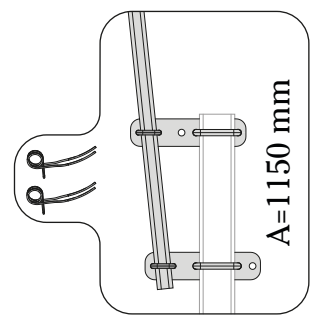
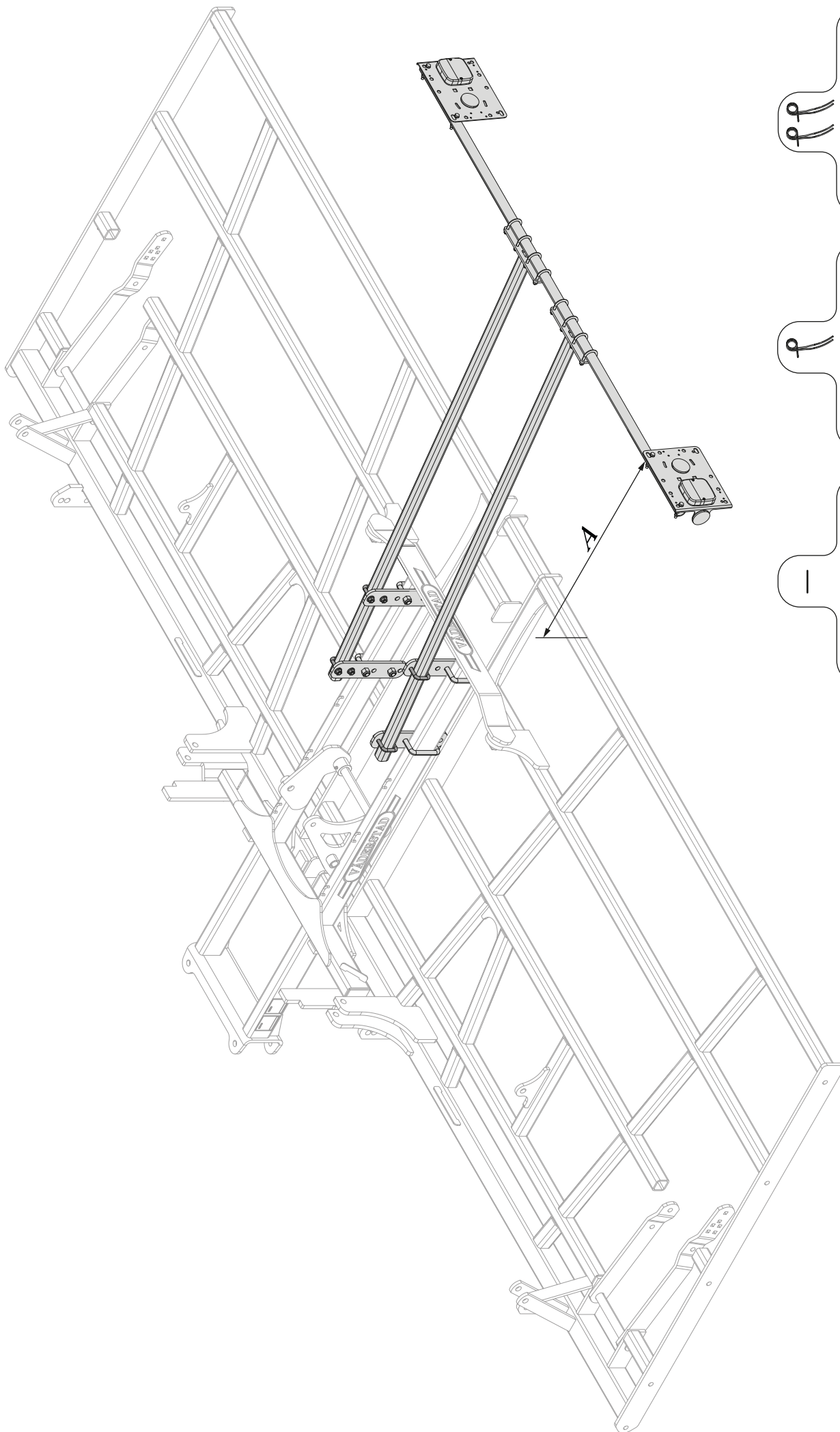
NZM 600



x2	x4	x4	x6	x4
M12x50	M12x70	M12	M12	







Väderstad AB  
SE-590 21 VÄDERSTAD  
Phone: +46 142-820 00  
[www.vaderstad.com](http://www.vaderstad.com)

